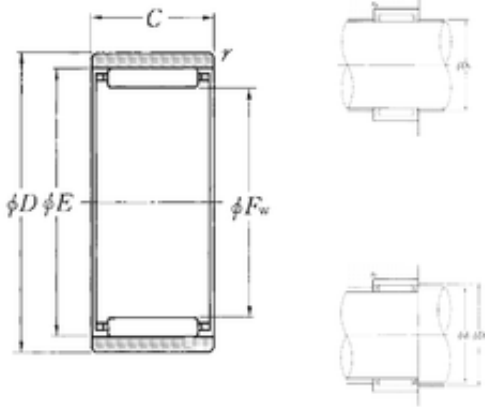




# ISO Bearing CO.,LTD.

## NTN RNAO-50 × 62 × 20 Rodamientos De Agujas

Bearing No. RNAO-50 × 62 × 20



RNAO-50 × 62 × 20 Bearing 2D drawings and 3D CAD models

Size	50x55x20 mm
Bore Diameter	50 mm
Outer Diameter	55 mm
Width	20 mm
Fw	50 mm
D	62 mm
E	55 mm
C	20 mm
r min.	0,3 mm
Da max.	60 mm
db	54,2 mm
ra max.	0,3 mm
Db	50,6 mm
Weight	0,14 Kg
Basic dynamic load rating (C)	27,9 kN
Basic static load rating (C0)	62 kN
(Grease) Lubrication Speed	5 500 r/min