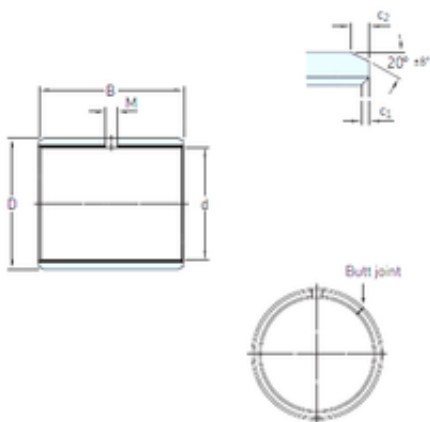




ISO Bearing CO.,LTD.

180 mm x 185 mm x 80 mm SKF PCM 18018580 M Rodamientos Deslizantes

Bearing No. PCM 18018580 M



PCM 18018580 M Bearing 2D drawings and 3D CAD models

Size	180x185x80 mm
Bore Diameter	180 mm
Outer Diameter	185 mm
Width	80 mm
d	180 mm
D	185 mm
B	80 mm
c1 min	0,2 mm
c2 min	1,2 mm
M	8 mm
Weight	0,8 Kg
Basic dynamic load rating (C)	1 700 kN
Category	Bearings
Inventory	0.0
Manufacturer Name	SKF
Minimum Buy Quantity	N/A
Weight / Kilogram	0.996
Product Group	B04264
c ₁ min.	0.2 mm
c ₁ max.	1 mm
c ₂ min.	1.2 mm
c ₂ max.	2.4 mm
± 8	20 °
Tolerance shaft	h8
Tolerance housing	H7



ISO Bearing CO.,LTD.

Basic dynamic load rating - radial direction C	1700 kN
Basic static load rating - radial direction C ₀	3550 kN
Specific dynamic load factor K	120 N/mm ²
Specific static load factor K ₀	250 N/mm ²
Factor depending on material and bearing type K _M	1900
Permissible sliding velocity v min.	0 m/s
Permissible sliding velocity v max.	2.5 m/s
Coefficient of friction μ min.	0.02
Coefficient of friction μ max.	0.2
Mass bushing	0.8 kg