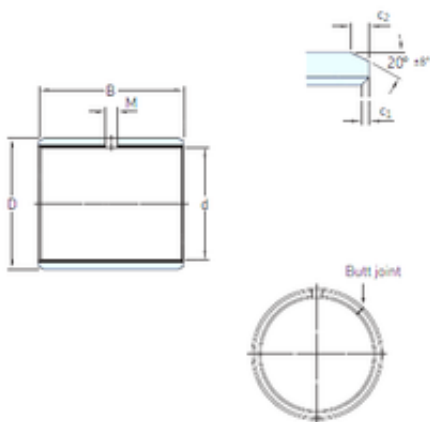




ISO Bearing CO.,LTD.

22 mm x 25 mm x 20 mm SKF PCM 222520 M Rodamientos Deslizantes



Bearing No. PCM 222520 M

Size	22x25x20 mm
Bore Diameter	22 mm
Outer Diameter	25 mm
Width	20 mm
d	22 mm
D	25 mm
B	20 mm
c1 min	0,1 mm
c2 min	0,2 mm
M	3 mm
Weight	0,014 Kg
Basic dynamic load rating (C)	51 kN
Category	Bearings
Inventory	0.0
Manufacturer Name	SKF
Minimum Buy Quantity	N/A
Weight / Kilogram	0
Product Group	B04264
c ₁ min.	0.1 mm
c ₁ max.	0.7 mm
c ₂ min.	0.2 mm
c ₂ max.	1 mm
± 8	20 °
Tolerance shaft	h8
Tolerance housing	H7

PCM 222520 M Bearing 2D drawings and 3D CAD models



ISO Bearing CO.,LTD.

Basic dynamic load rating - radial direction C	51 kN
Basic static load rating - radial direction C ₀	106 kN
Specific dynamic load factor K	120 N/mm ²
Specific static load factor K ₀	250 N/mm ²
Factor depending on material and bearing type K _M	1900
Permissible sliding velocity v min.	0 m/s
Permissible sliding velocity v max.	2.5 m/s
Coefficient of friction μ min.	0.02
Coefficient of friction μ max.	0.2
Mass bushing	0.014 kg