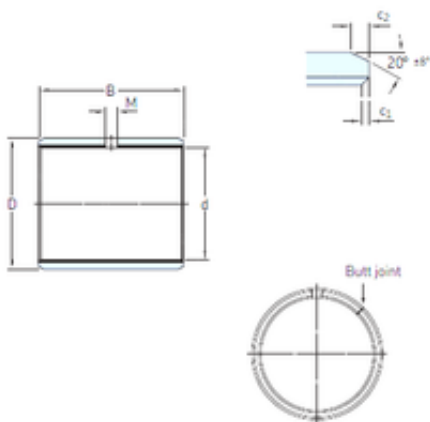




ISO Bearing CO.,LTD.



75 mm x 80 mm x 60 mm SKF PCM 758060 M Rodamientos Deslizantes

Bearing No. PCM 758060 M

| | |
|-------------------------------|----------------|
| Size | 75x80x60 mm |
| Bore Diameter | 75 mm |
| Outer Diameter | 80 mm |
| Width | 60 mm |
| d | 75 mm |
| D | 80 mm |
| B | 60 mm |
| c1 min | 0,2 mm |
| c2 min | 1,2 mm |
| M | 6 mm |
| Weight | 0,255 Kg |
| Basic dynamic load rating (C) | 530 kN |
| Category | Plain Bearings |
| Inventory | 0.0 |
| Manufacturer Name | SKF |
| Minimum Buy Quantity | N/A |
| Weight / Kilogram | 0.261 |
| Product Group | B04264 |
| bushing type: | Plain |
| bushing material: | POM |
| inside diameter: | 75 mm |
| overall outside diameter: | 75 mm |
| bushing outside diameter: | 80 mm |
| groove type: | Plain Interior |
| overall length: | 60 mm |

PCM 758060 M Bearing 2D drawings and 3D CAD models



ISO Bearing CO.,LTD.

| | |
|--|-----------------------|
| ground type: | Ground |
| c ₁ min. | 0.2 mm |
| c ₁ max. | 1 mm |
| c ₂ min. | 1.2 mm |
| c ₂ max. | 2.4 mm |
| ± 8 | 20 ° |
| Tolerance shaft | h8 |
| Tolerance housing | H7 |
| Basic dynamic load rating - radial direction C | 530 kN |
| Basic static load rating - radial direction C ₀ | 1100 kN |
| Specific dynamic load factor K | 120 N/mm ² |
| Specific static load factor K ₀ | 250 N/mm ² |
| Factor depending on material and bearing type K _M | 1900 |
| Permissible sliding velocity v min. | 0 m/s |
| Permissible sliding velocity v max. | 2.5 m/s |
| Coefficient of friction μ min. | 0.02 |
| Coefficient of friction μ max. | 0.2 |
| Mass bushing | 0.26 kg |