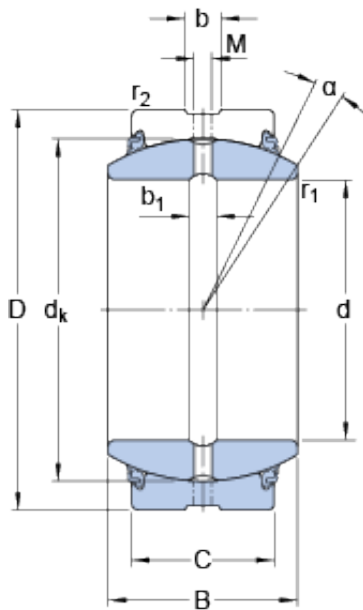




ISO Bearing CO.,LTD.

152.4 mm x 222.25 mm x 120.65 mm SKF GEZ 600 ES-2LS Rodamientos Deslizantes

Bearing No. GEZ 600 ES-2LS



GEZ 600 ES-2LS Bearing 2D drawings and 3D CAD models

Size	222.25x152.4x120.65 mm
Bore Diameter	222,25 mm
Outer Diameter	152,4 mm
Width	120,65 mm
d	152.4 mm
D	222.25 mm
B	120.65 mm
C	104.775 mm
	5 °
d _k	207.162 mm
b	15 mm
b ₁	11 mm
M	8 mm
r ₁ - min.	1 mm
r ₂ - min.	1.1 mm
d _a - min.	161 mm
d _a - max.	168 mm
D _a - min.	197.5 mm
D _a - max.	213.5 mm
r _a - max.	1 mm
r _b - max.	1.1 mm
Basic dynamic load rating - C	1730 kN
Basic static load rating - C ₀	5200 kN
Specific factor dinamic load - K	100 N/mm ²



ISO Bearing CO.,LTD.

Specific factor static load - K_0	300 N/mm ²
Constant - K_M	330
Lubricant	Regular relubrication – grease
Design (sliding contact surface combination)	Steel/steel
Sealing solution	Triple-lip seals
	5 °
d_k	207.162 mm
b_1	11 mm
r_1 min.	1 mm
r_2 min.	1.1 mm
d_a min.	161 mm
d_a max.	168 mm
D_a min.	197.5 mm
D_a max.	213.5 mm
r_a max.	1 mm
r_b max.	1.1 mm
Basic dynamic load rating C	1730 kN
Basic static load rating C_0	5200 kN
Specific dynamic load factor K	100 N/mm ²
Specific static load factor K_0	300 N/mm ²
Material constant K_M	330
Mass plain bearing	17.5 kg