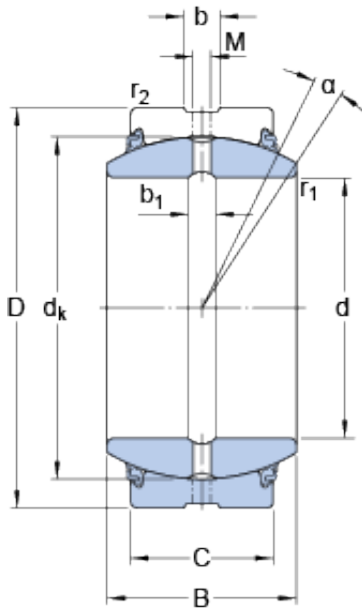




# ISO Bearing CO.,LTD.

## 101.6 mm x 158.75 mm x 88.9 mm SKF GEZ 400 ESX-2LS Rodamientos Deslizantes

Bearing No. GEZ 400 ESX-2LS



GEZ 400 ESX-2LS Bearing 2D drawings and 3D CAD models

Size	158.75x101.6x88.9 mm
Bore Diameter	158,75 mm
Outer Diameter	101,6 mm
Width	88,9 mm
d	101.6 mm
D	158.75 mm
B	88.9 mm
C	76.2 mm
	6 °
d <sub>k</sub>	146.05 mm
b	10.5 mm
b <sub>1</sub>	10 mm
M	8 mm
r <sub>1</sub> - min.	0.6 mm
r <sub>2</sub> - min.	1 mm
d <sub>a</sub> - min.	108 mm
d <sub>a</sub> - max.	115.5 mm
D <sub>a</sub> - min.	139.5 mm
D <sub>a</sub> - max.	152.5 mm
r <sub>a</sub> - max.	0.6 mm
r <sub>b</sub> - max.	1 mm
Basic dynamic load rating - C	1340 kN
Basic static load rating - C <sub>0</sub>	2650 kN
Specific factor dinamic load - K	150 N/mm <sup>2</sup>



## ISO Bearing CO.,LTD.

Specific factor static load - $K_0$	300 N/mm <sup>2</sup>
Constant - $K_M$	330
Lubricant	Maintenance free – greased for life
Design (sliding contact surface combination)	Steel/steel
Sealing solution	Triple-lip seals
	6 °
$d_k$	146.05 mm
$b_1$	10 mm
$r_1$ min.	0.6 mm
$r_2$ min.	1 mm
$d_a$ min.	108 mm
$d_a$ max.	115.5 mm
$D_a$ min.	139.5 mm
$D_a$ max.	152.5 mm
$r_a$ max.	0.6 mm
$r_b$ max.	1 mm
Basic dynamic load rating C	1340 kN
Basic static load rating $C_0$	2650 kN
Specific dynamic load factor K	150 N/mm <sup>2</sup>
Specific static load factor $K_0$	300 N/mm <sup>2</sup>
Material constant $K_M$	330
Mass plain bearing	7 kg