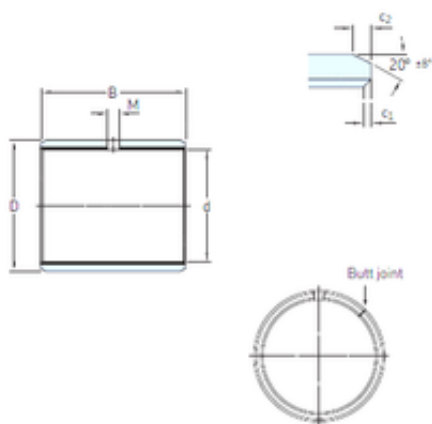




ISO Bearing CO.,LTD.

90 mm x 95 mm x 60 mm SKF PCM 909560 E Rodamientos Deslizantes



Bearing No. PCM 909560 E

Size	90x95x60 mm
Bore Diameter	90 mm
Outer Diameter	95 mm
Width	60 mm
d	90 mm
D	95 mm
B	60 mm
c1 min	0,2 mm
c2 min	1,2 mm
M	– mm
Weight	0,325 Kg
Basic dynamic load rating (C)	425 kN
Category	Plain Bearings
Inventory	0.0
Manufacturer Name	SKF
Minimum Buy Quantity	N/A
Weight / Kilogram	0.379
Product Group	B04264
c ₁ min.	0.2 mm
c ₁ max.	1 mm
c ₂ min.	1.2 mm
c ₂ max.	2.4 mm
± 8	20 °
Tolerance shaft	h8
Tolerance housing	H7

PCM 909560 E Bearing 2D drawings and 3D CAD models



ISO Bearing CO.,LTD.

Basic dynamic load rating - radial direction C	425 kN
Basic static load rating - radial direction C_0	1320 kN
Specific dynamic load factor K	80 N/mm ²
Specific static load factor K_0	250 N/mm ²
Factor depending on material and bearing type K_M	480
Permissible sliding velocity v min.	0 m/s
Permissible sliding velocity v max.	2 m/s
Coefficient of friction μ min.	0.03
Coefficient of friction μ max.	0.25
Mass bushing	0.33 kg